

Compact M3

Inside door
"PUSH-PULL^{PT}" Technology



The DYNACO Compact M3 is specifically designed for large sized heavy duty operations in interior environments

The DYNACO Compact M3 protects your environments against drafts, humidity, dust and dirt. Our door opens and closes fast, improves your traffic flows and provides employee comfort, environmental control and energy savings. 100 % self repairable, the DYNACO Compact M3 will automatically reinsert itself in its side guides when the curtain is accidentally hit. The absence of rigid elements in the curtain and its soft bottom edge makes the DYNACO Compact M3 intrinsically safe.

Patented "Push Pull^{PT}" technology:

Unique door drive system eliminates the need for weighted bottom bars or tension systems.

Excellent sealing:

Patented side frame assembly provides virtually perfect seal while eliminating blade and brush systems

Crash forgiving and 100% selfrepairing without intervention

The curtain reintroduces itself automatically after a crash which reduces maintenance and production down time

User safety:

The absence of stiffeners combined with a flexible curtain that moulds itself protects users.

The curtain is provided with the "WDD" technology, the Wireless DYNACO Detector at the bottom of the door

Advanced drive:

Smooth operation and reliability provided by a motor without brake and driven by a frequency inverter and an encoder. Wearable elements are reduced to a minimum.

Dynalogic control box:

Control box with self-diagnosis is user friendly

Conform to EN13241-1



DYNACO. THE SAFEST CHOICE

Compact M3

Inside door
"PUSH-PULL^{PTM}" Technology

EN13241-1 STANDARDS

Standard	Ref.	Test acc.	Results
Water permeability	EN 12425	EN 12489	Classe 1
Wind load	EN 12424	EN 12444	Classe 1*
Wind permeability	EN 12426	EN 12427	Classe 1
Safe openings	EN 12453	EN 12445	Pass
Mechanical resistance	EN 12604	EN 12605	Pass
Unintended movements	EN 12604	EN 12605	Pass
Thermal resistance	EN 12428	EN 12428	6,02 W/m ² K
Performance (cycles):	EN 12604	EN 12605	1 000 000

*The indicated class for wind resistance applies for maximum dimensions. For doors up to W 7.000mm x H 5.500mm: Class 2

Characteristics

Max. dimensions	W 11.000 mm x H: 5.500 mm
Opening speed	0,8 m/sec
Closing speed	0,4 m/sec
Structure	Galvanised steel (U channels): 100 x 50 x 3 mm
Drum	Steel - Ø 140 x 4 mm
Side guides	Polyéthylène (PE-UHMW) with springs
Motor	4 poles, without brake - power: 1,5 kW Frequency inverter - Protection degree: IP 65

Control box DYNALOGIC provided with:
Circuit breaker, general divider, adjustable timer,
Push button for opening and reset and emergency stop
Protection degree: IP54

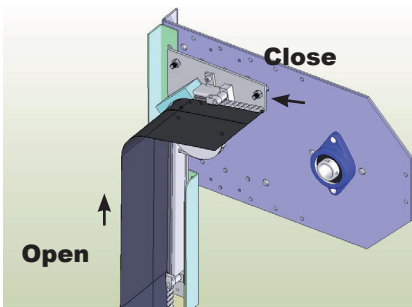
Standard detectors Infrared barrier: 300 mm from the floor
Wireless bottom edge detection system

Single phase 230V - 25 A. - frequency: 50-60 Hz

Power supply - frequency

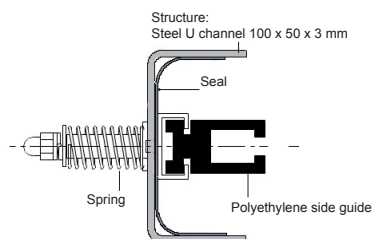
Yellow Orange Red Blue Green Grey White Black
RAL1003 RAL2004 RAL3000 RAL5002 RAL6005 RAL7035 RAL9010 RAL9005

Available colours

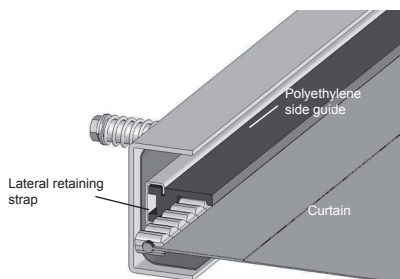


"PUSH-PULL^{PTM}" Drive technology

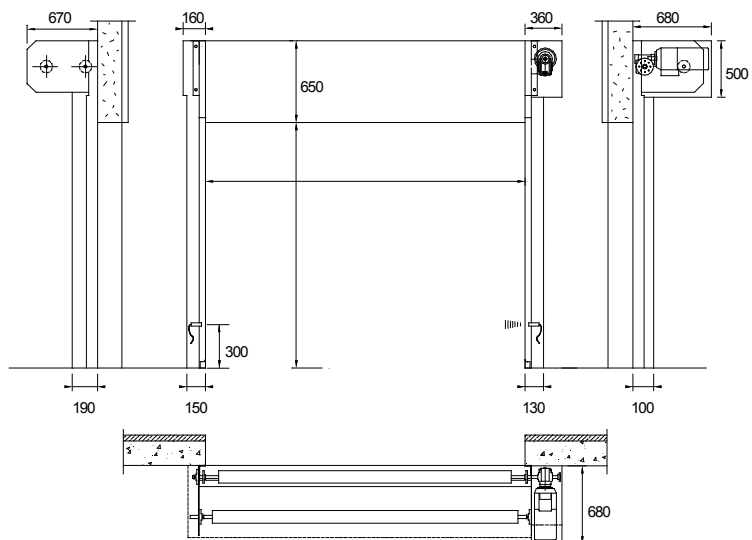
Measures Compact M3



Side Guide view



Lateral retaining strap view



All indicated dimensions are net: the space necessary for mounting and maintenance has to be provided. Reduced dimensions: upon request



DYNACO[®] Europe NV

Waverstraat 21
Tel. ++32 (0)53 72 98 98
Fax. ++32 (0)53 72 98 50

B 9130 Moorsel
info@dynaco.eu

V.7.0 - 28/10/2009